

Z1900 12" X 12" A.R.E. SANI-FLOR RECEPTOR WITH 6" SUMP DEPTH

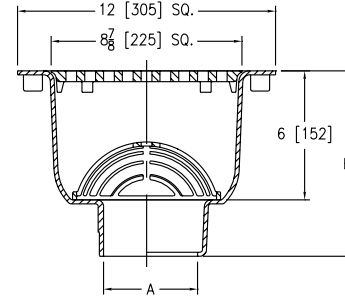


ENGINEERING SPECIFICATION

Zurn Z1900 Sani-Flor receptor, 12" x 12" x 6" features deep cast iron body, square light-duty grate with 1/2" slotted openings, and white acid resisting porcelain enamel interior and top - complete with white ABS anti-splash interior bottom dome strainer.

NOTE

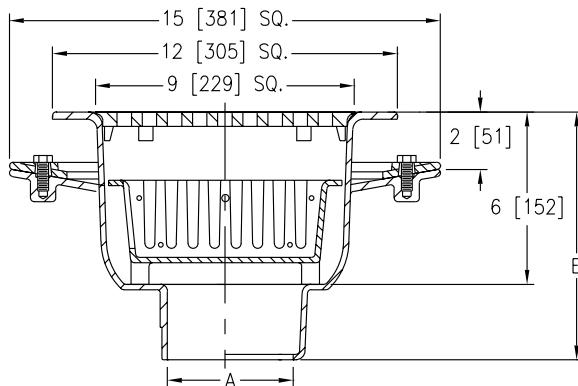
†Add 1/2" to 12" dimension when specifying ZN1900 or ZS1900.



Dimensions in inches [mm]				Approximate Weight lb [kg]	Grate Open Area sq in [cm ²]
A Pipe Size/Outlet Type	E Body Height Dimensions		Z		
Inside Caulk (IC)					
3IC, 4IC	8-5/8 [219]	9-1/8 [232]		32 [15]	31 [200]
No-Hub (NH)					
2NH, 3NH, 4NH	8-5/8 [219]	9-1/8 [232]		32 [15]	31 [200]
Neo-Loc (NL)					
2NL, 3NL, 4NL	8 [203]	8-1/2 [216]		32 [15]	31 [200]

PREFIXES	DESCRIPTION	A PIPE SIZE	Z (A.R.E.)	ZN (N.B.)	ZS
Z1900*	Cast Iron Body with A.R.E. Interior and Top	2", 3", 4"	2,110.00	-	-
ZN1900†	Cast Iron Body with White A.R.E. Interior and Top, 12-1/2" Square N.B. Frame and Full Grate with 1/2" Square Openings	2", 3", 4"	-	2,857.00	-
ZS1900†	Cast Iron Body with White A.R.E. Interior and Top, 12-1/2" Square Stainless Steel Frame and Full Grate with 1/2" Openings	2", 3", 4"	-	-	4,330.00

OUTLETS (SPECIFY PIPE SIZE IN INCHES AND TYPE OF OUTLET)					
OUTLET TYPE		PIPE SIZE/OUTLET TYPE			ADD
IC	Inside Caulk	3IC, 4IC	N/C	N/C	N/C
NH	No-Hub	2NH, 3NH, 4NH	N/C	N/C	N/C
NL	Neo-Loc	2NL, 3NL, 4NL	N/C	N/C	N/C



-KC-23 Options Shown

SUFFIXES		ADD		
		Z (A.R.E.)	ZN (N.B.)	ZS
-DX	Dex-O-Tex Flange (ZN Only)	N/A	1,143.00	N/A
-HD	Stainless Steel Frame with Extra-Heavy-Duty Stainless Steel Grate (ZS Only)	N/A	N/A	1,199.00
-HP	Heel-Proof Grate (ZN Only)	N/A	696.00	N/A
-K	Anchor Flange	385.00	385.00	385.00
-KC	Anchor Flange with Seepage Holes and Clamp Collar	580.00	580.00	580.00
-P	1/2" Trap Primer Connection (See Z1023)	194.00	194.00	194.00
Ⓛ -SA	Stabilizer Assembly (See Z1903)	206.00	206.00	206.00
Ⓛ -TC	Neo-Loc Test Cap Gasket (2", 3", 4" NL Bottom Outlet Only)	24.00	24.00	24.00
-VPS	Vandal-Proof Strainer (NH outlet only)	312.00	312.00	312.00
-2	1/2 Grate	N/C	N/C	N/C
-3	3/4 Grate	N/C	N/C	N/C
-4	Full Grate with Center Opening (2" Round for Z and 3-1/32" Square for ZN or ZS)	178.00	178.00	178.00
-6	Grate with 6" Dia. x 6" High Funnel	488.00	626.00	1,555.00
-8	Grate with 8-7/8" x 3-5/8" x 3-3/4" High Oval Funnel	531.00	883.00	2,424.00
-11	Vandal-Proof Secured Grate (ZN and ZS Only)	N/A	79.00	79.00
-15	Solid Loose Set Cover (Z and ZN Only)	116.00	228.00	N/A
-19	Full Hinged Grate (ZN Only)	N/A	351.00	N/A
-23	Aluminum Bucket	318.00	318.00	318.00
-25	White A.R.C. Bucket	597.00	597.00	597.00
-31	Stainless Steel Mesh Liner for Bucket	472.00	472.00	472.00
-32	Aluminum Dome Strainer	N/C	N/C	N/C
-33	White A.R.C. Anti-Splash Bottom Dome Strainer	343.00	343.00	343.00

		DEDUCT		
		Z (A.R.E.)	ZN (N.B.)	ZS
-LD	Less Bottom Dome Strainer	- 61.00	- 61.00	- 61.00
-1	Less Grate	- 228.00	- 489.00	- 1,230.00

BEST SELLERS		LIST PRICE
Z1900-2NH-2		2,110.00
ZN1900-2NH-2		2,857.00
ZN1900-2NH-2-33		3,200.00
Z1900-2NL-2		2,110.00
Z1900-3NH-2		2,110.00
Z1900-3NH-33-KC		3,033.00
ZN1900-3NH-2-32		2,857.00
Z1900-3NL-2		2,110.00
Z1900-3NL-3		2,110.00
ZN1900-3NL		2,857.00
Z1900-4NH-2		2,110.00
ZN1900-4NL		2,857.00

*Regularly furnished unless otherwise specified.

Items designated as Best Sellers are most specified and are generally in stock for shipment.

Ⓛ This symbol denotes a product that is engineered to reduce installation and rework time.

For additional product information, please visit www.zurn.com

INTRO
 ROOF DRAINS
 FLOOR DRAINS
 T, P, BW VALVES
 INTERCEPTORS
 CARRIERS
 HYDRANTS
 CLEANOUTS
 W/HA
 SS DRAINS
 FAB SS DRAINS
 SANI-FLOR
 TECH INFO